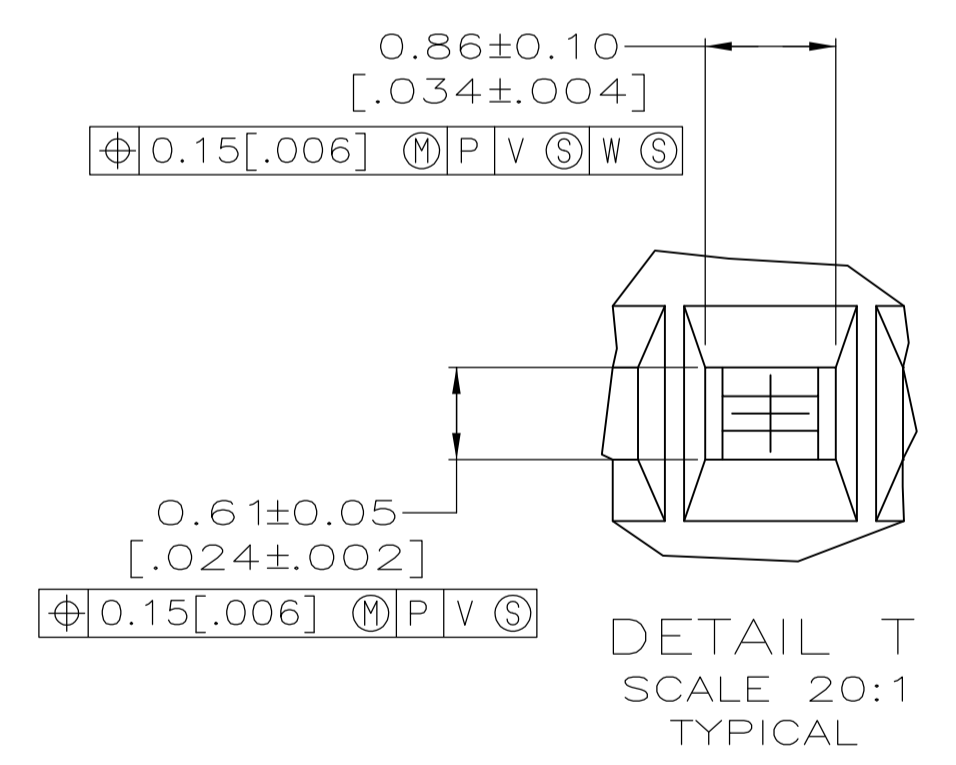
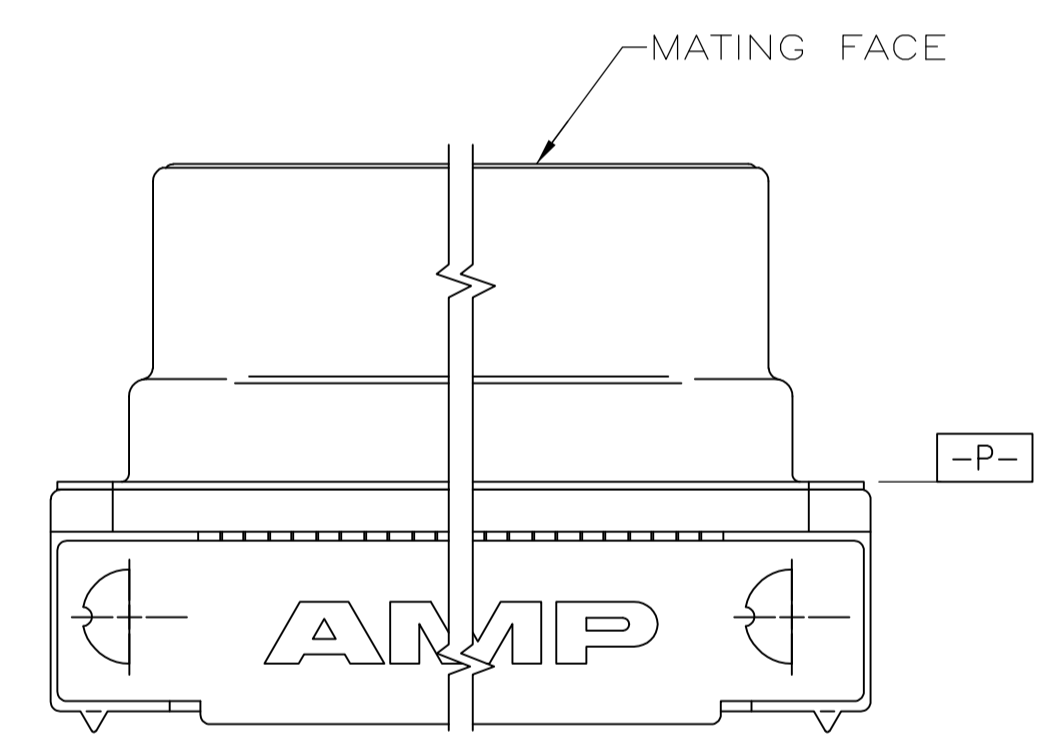
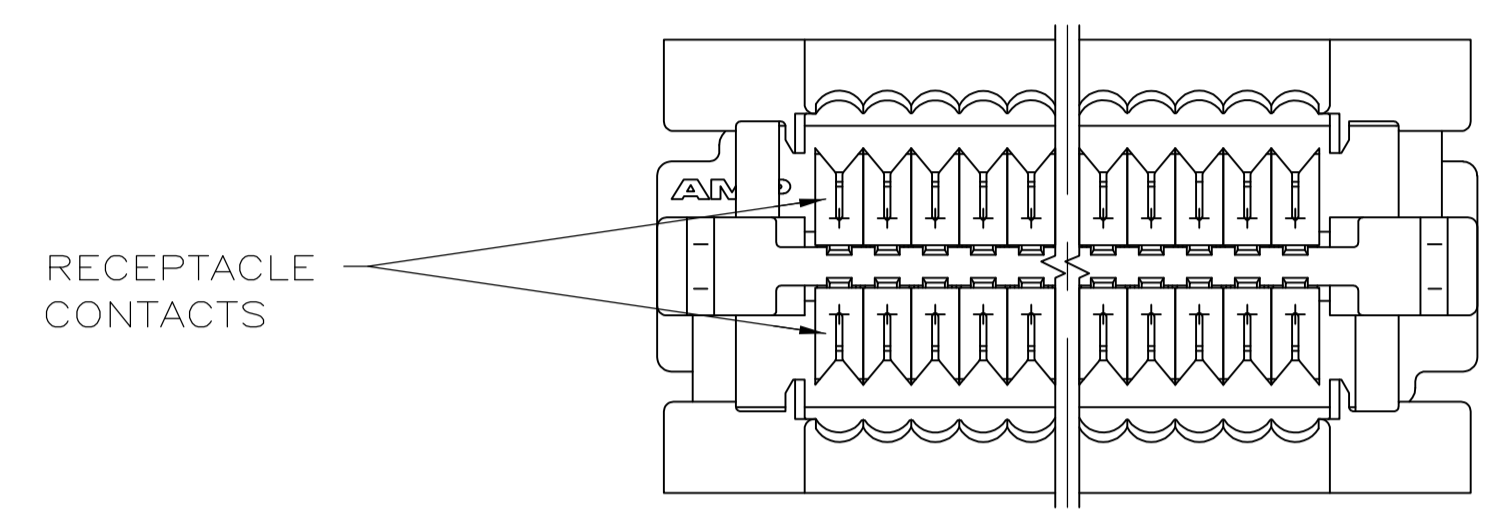
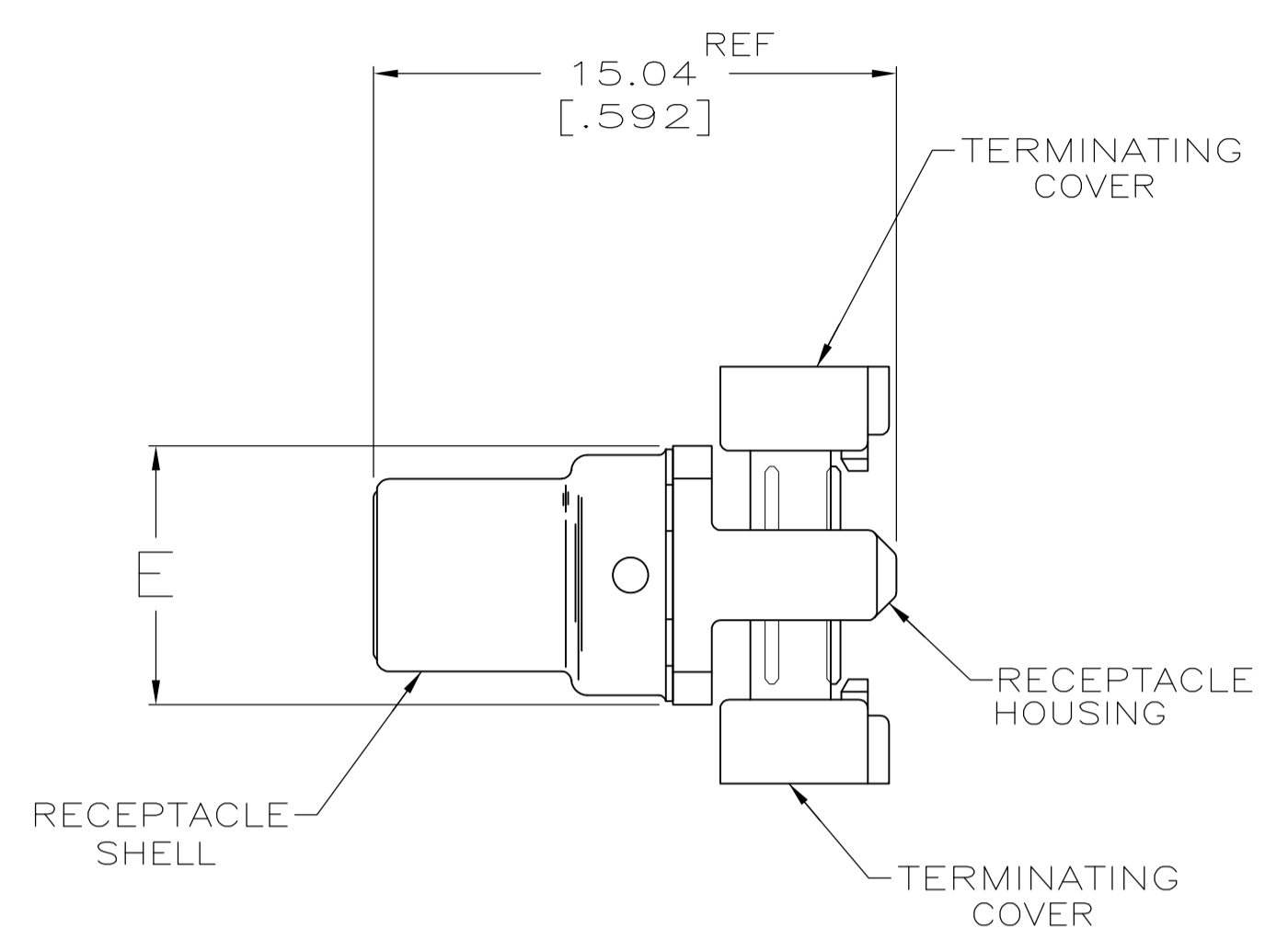
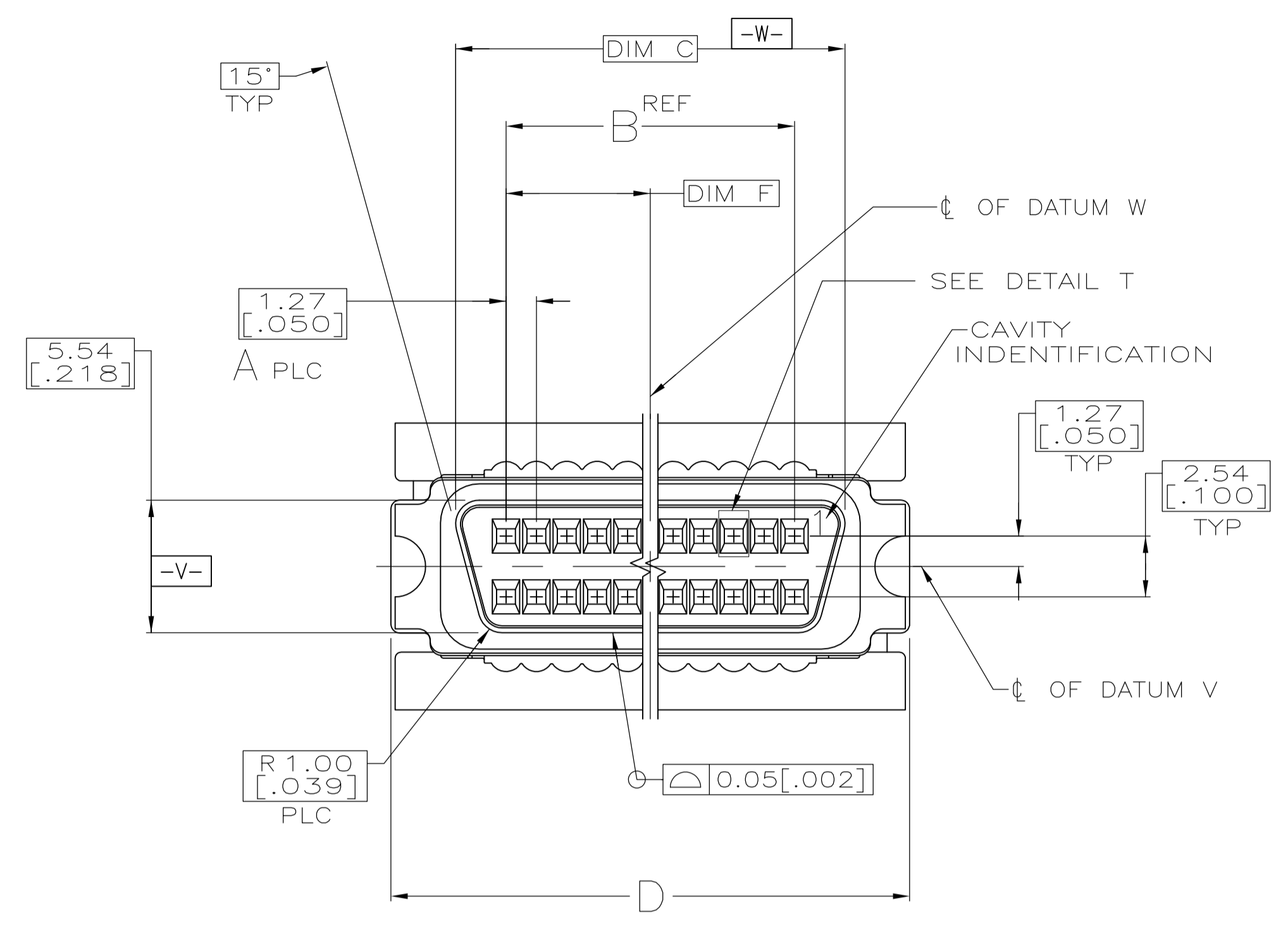


LOC		DIST		REVISIONS			
F	LTR	DESCRIPTION	DATE	DWN	APVD		
C		REVISED PER ECO-11-001216	08FEB2011	CJV	SLB		



- 1 MATERIAL:  
 RECEPTACLE CONTACTS - PHOSPHOR BRONZE  
 RECEPTACLE SHELL - STEEL  
 RECEPTACLE HOUSING AND TERMINATING COVERS - UL V-0 RATED THERMOPLASTIC, COLOR: BLACK.
- 2 PLATING:  
 RECEPTACLE CONTACTS - EITHER 0.76µm [.000030] MINIMUM GOLD PLATE OR GOLD FLASH OVER PALLADIUM NICKEL PLATE 0.76µm [.000030] MIN TOTAL IN CONTACT AREA, 1.27µm [.000050] MINIMUM BRIGHT TIN PLATE IN TERMINATION AREA, ALL OVER 1.27µm [.000050] MINIMUM NICKEL.  
 RECEPTACLE SHELL - 5.08µm [.000200] MINIMUM BRIGHT TIN PLATE OVER 1.27µm [.000050] MINIMUM COPPER.
3. RECOMMENDED WIRE: 28 AWG OR 30 AWG, SOLID OR 7 STRANDED, PVC INSULATION, WITH A 0.74-0.91 [.029-.036] INSULATION DIA.

**COPYRIGHT 2005  
 TYCO ELECTRONICS CORP  
 ALL RIGHTS RESERVED**

20.96 [.825]	7.44 [.293]	51.54 [2.029]	46.13 [1.816]	41.91 [1.650]	33	68	5749210-7
15.24 [.600]	7.44 [.293]	40.11 [1.579]	34.70 [1.366]	30.48 [1.200]	24	50	5749210-5
F	E	D	C	B	A	NO OF POSN	PART NO

THIS DRAWING IS A CONTROLLED DOCUMENT.		DIN G.ATTADIA - DOCK 5 02-23-05	Tyco Electronics Corporation Harrisburg, PA 17105-3608	
DIMENSIONS: mm [INCHES]	TOLERANCES UNLESS OTHERWISE SPECIFIED:	CHK S. SHUEY 02-23-05	Tyco Electronics	
$\text{Ø}$	0. PLC ± - 1. PLC ± - 2. PLC ± - 3. PLC ± - 4. PLC ± - ANGLES ± -	APVD M. WALMSLEY 02-23-05	NAME RECEPTACLE ASSEMBLY, CABLE CONNECTOR, .050 SERIES, AMPLIMITE	
MATERIAL	FINISH	PRODUCT SPEC 108-1228	SIZE A1	CAGE CODE 114-40029
1	2	APPLICATION SPEC 114-40029	DRAWING NO 00779	RESTRICTED TO CUSTOMER DRAWING
		WEIGHT	DWG NO 5749210	SCALE 5:1
		SHEET 1 OF 1		REV C